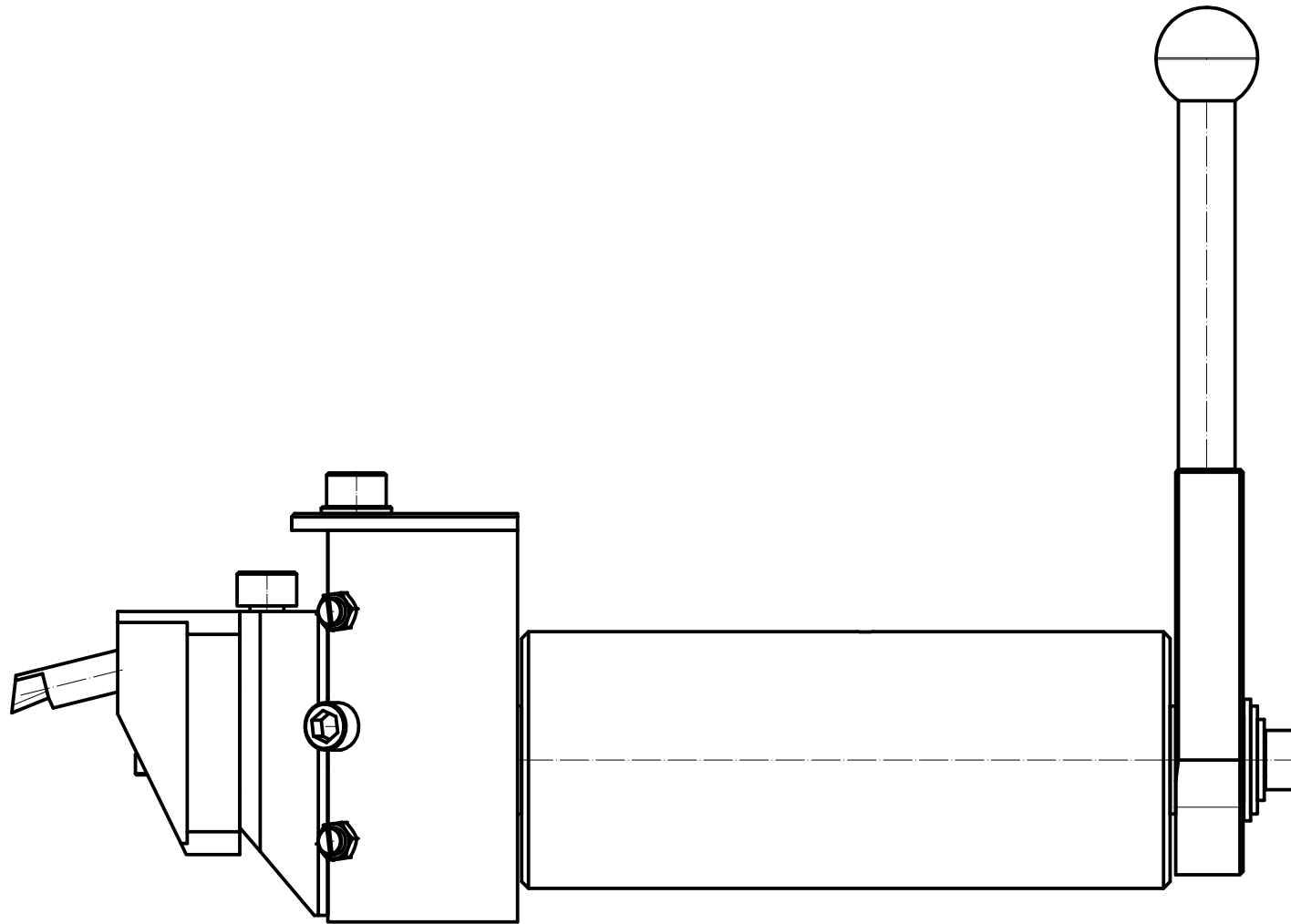
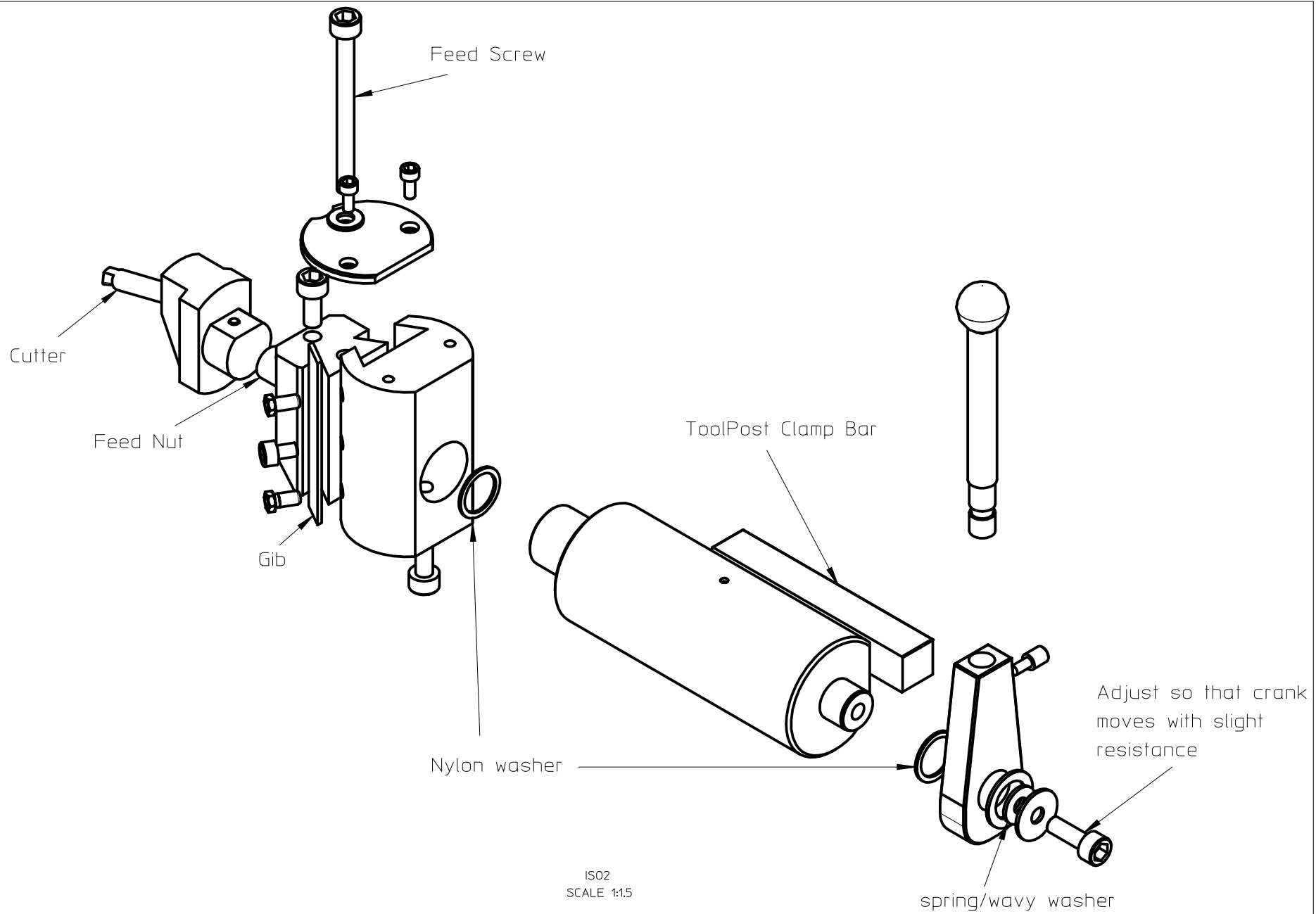


IS01

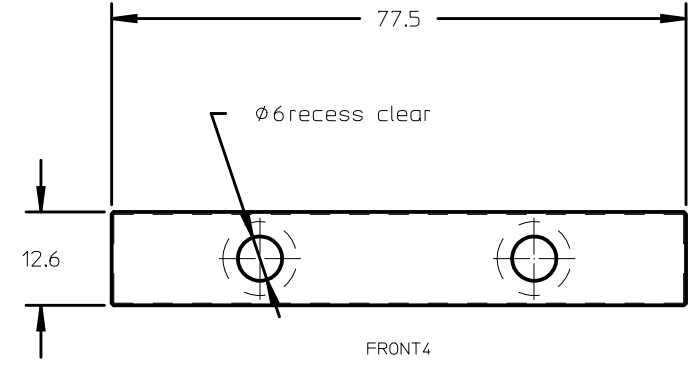
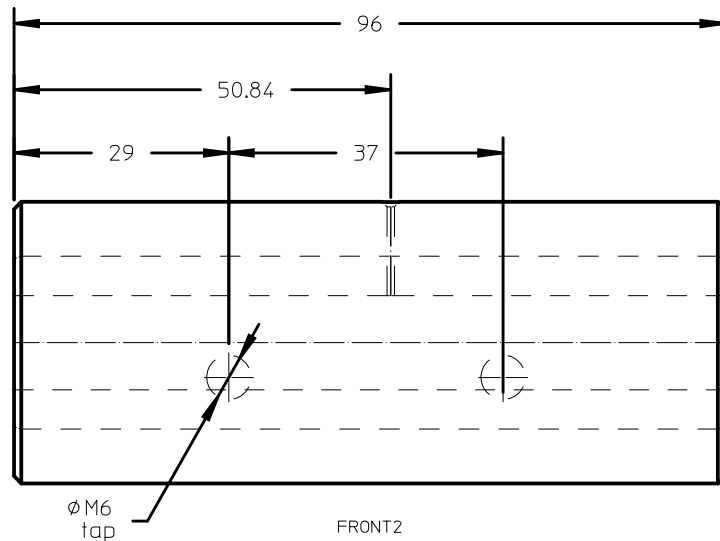
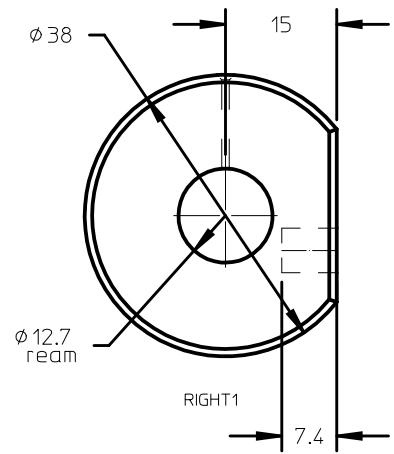


FRONT1

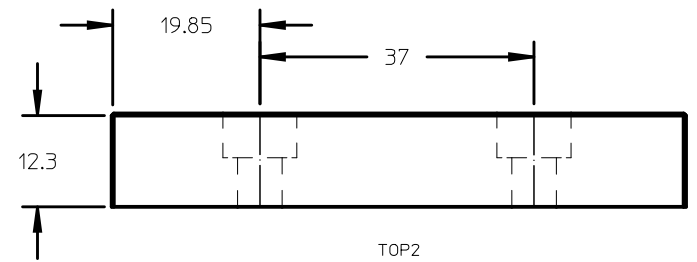
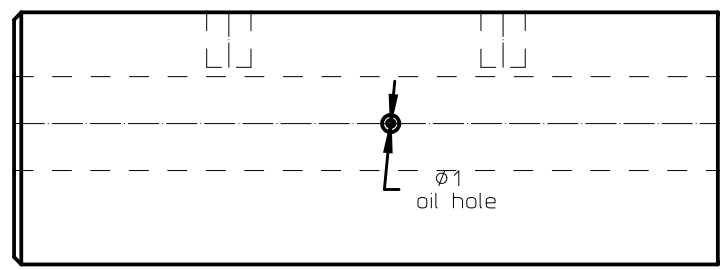


IS02  
 SCALE 1:1.5

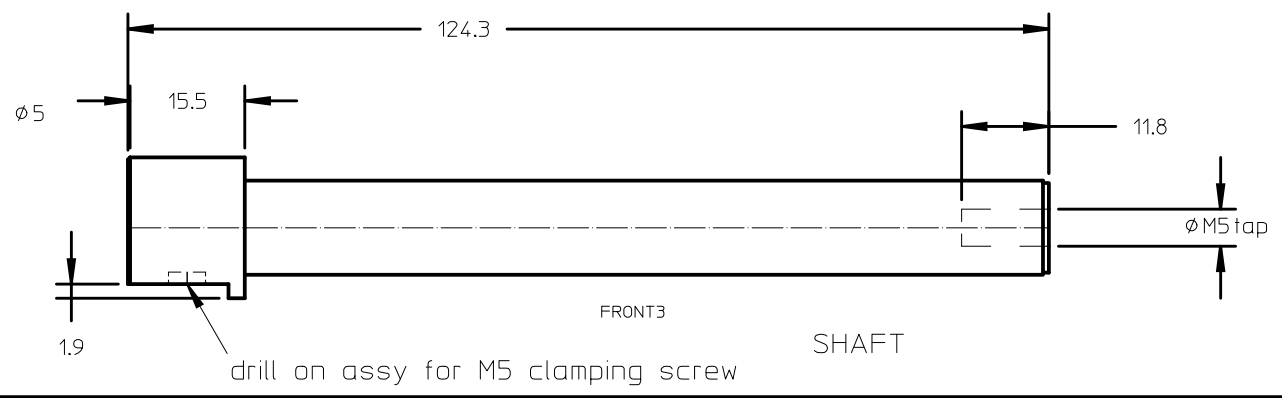
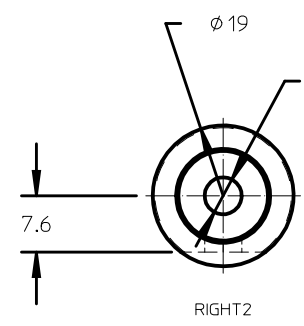
BALL TURNING JIG ASSEMBLY



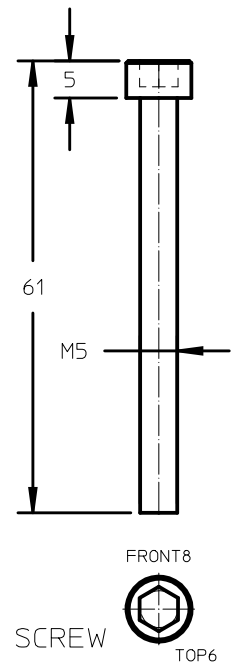
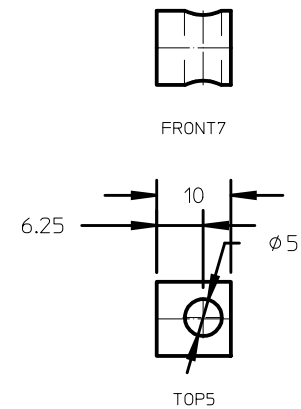
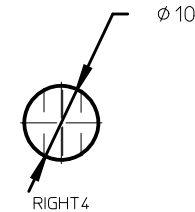
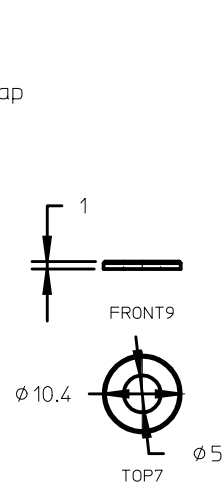
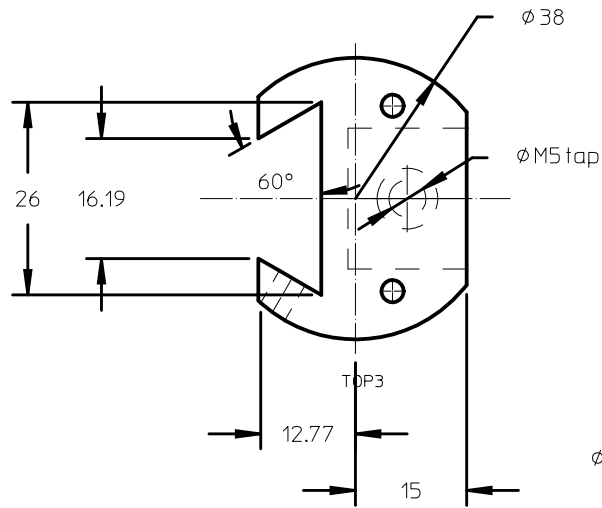
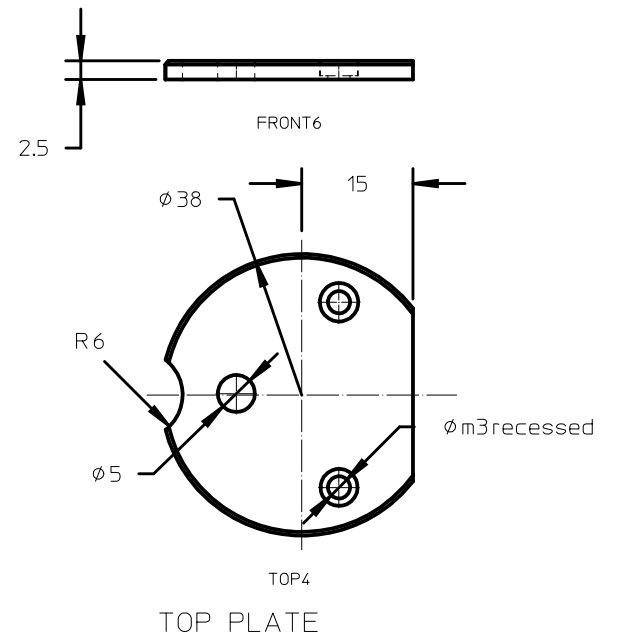
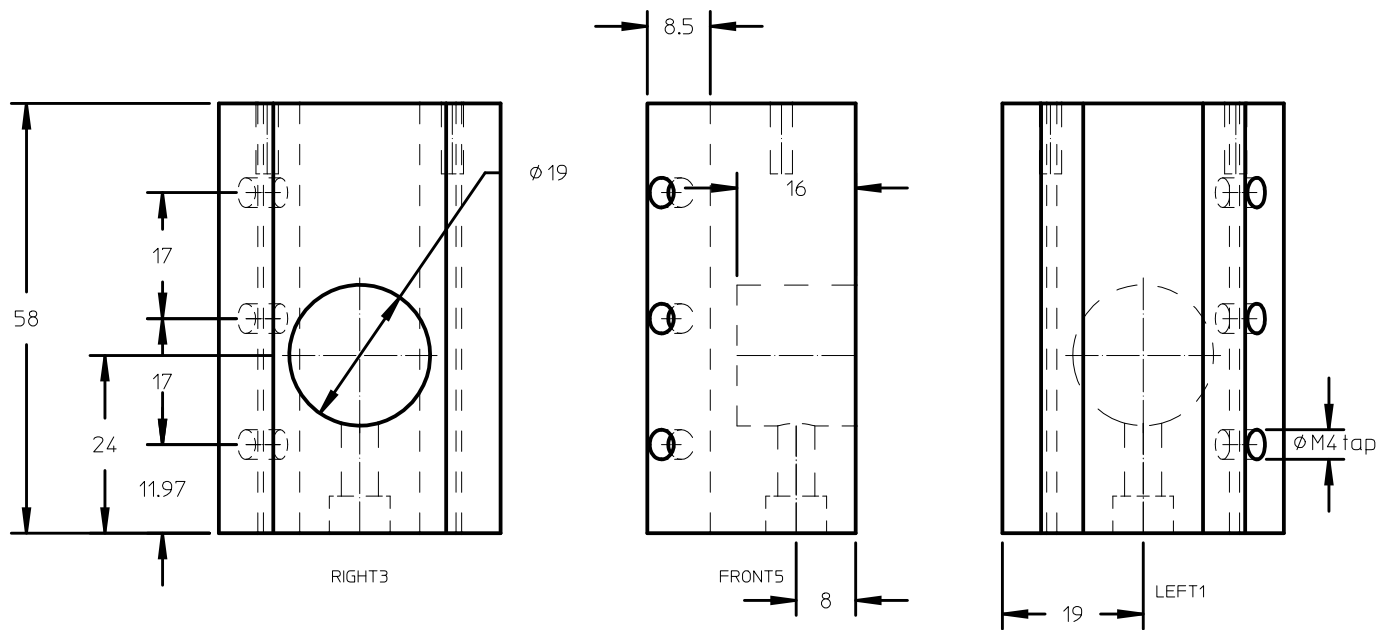
BODY



TOOLPOST CLAMP



SHAFT

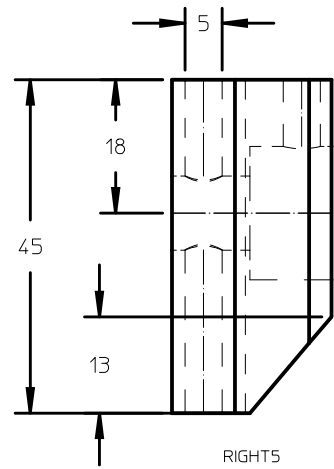


VERTICAL SLIDE BODY

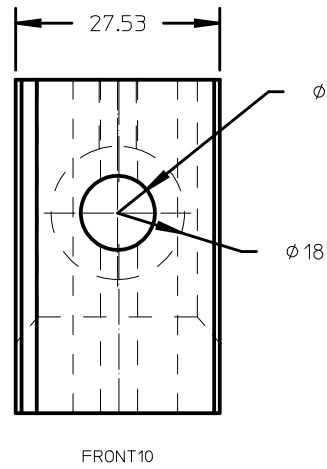
FEED SCREW WASHER

FEED NUT 9BRONZE)

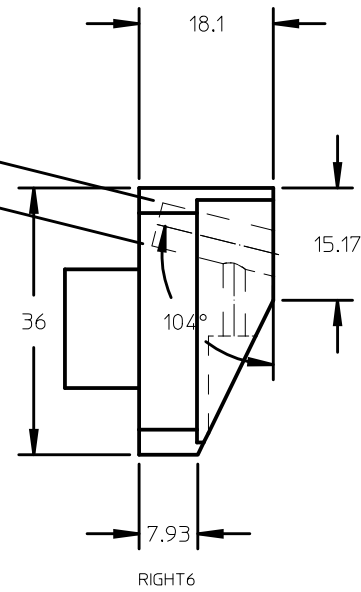
FEED SCREW



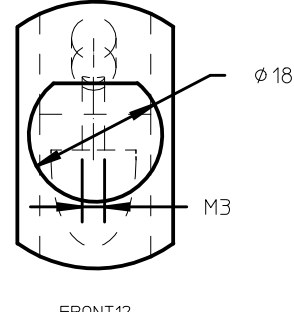
RIGHT5



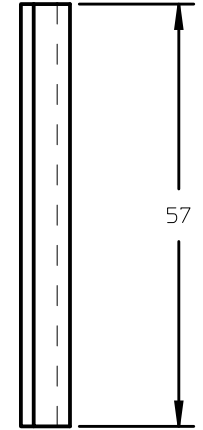
FRONT10



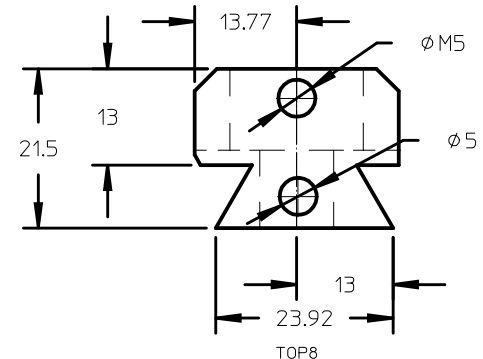
RIGHT6



FRONT12

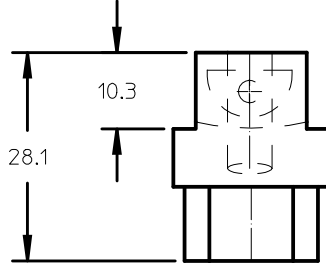


FRONT11

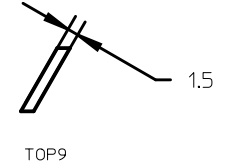


TOP8

CUTTER HOLDER



TOP10

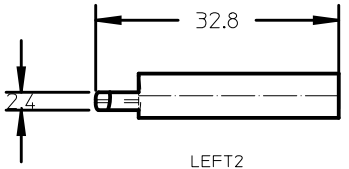


TOP9

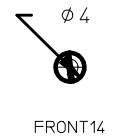
VERTICAL SLIDE



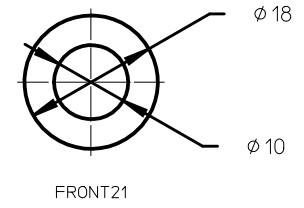
FRONT13



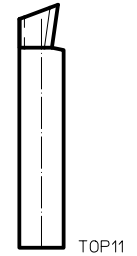
LEFT2



FRONT14

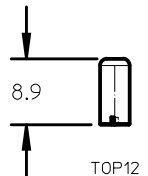


FRONT21



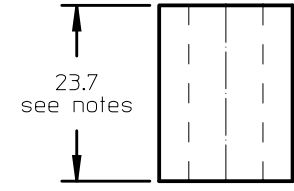
TOP11

CUTTER



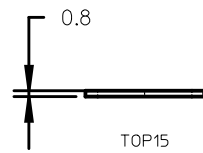
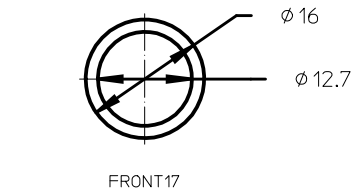
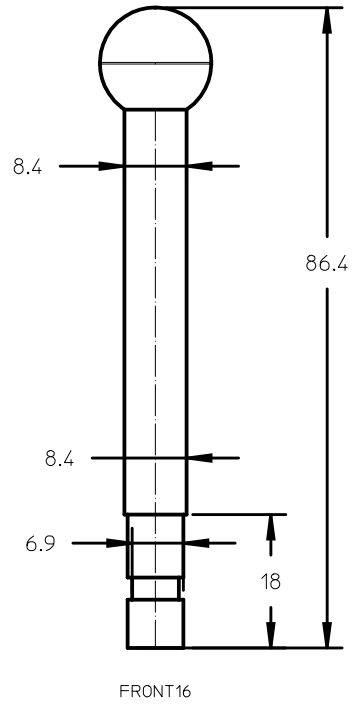
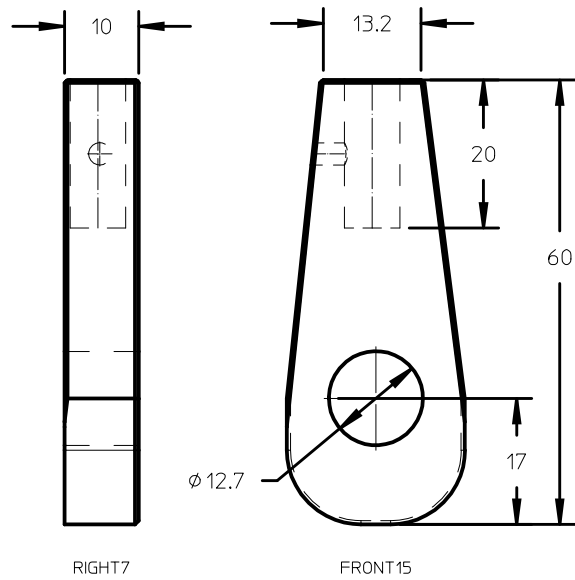
TOP12

GIB SCREWS (2off)

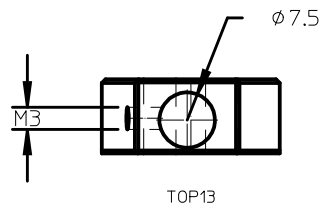


TOP20

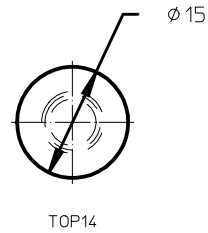
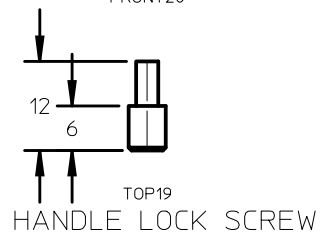
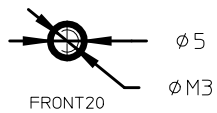
C/L SETTING JIG



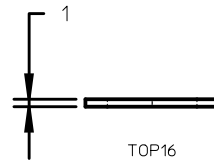
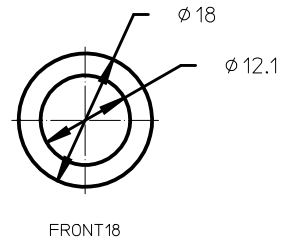
NYLON WASHER (2 off)



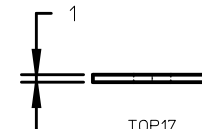
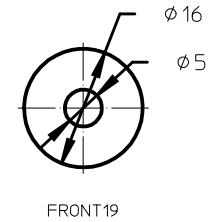
HANDLE CRANK



HANDLE



HANDLE WASHERS



WASHER ASSY

